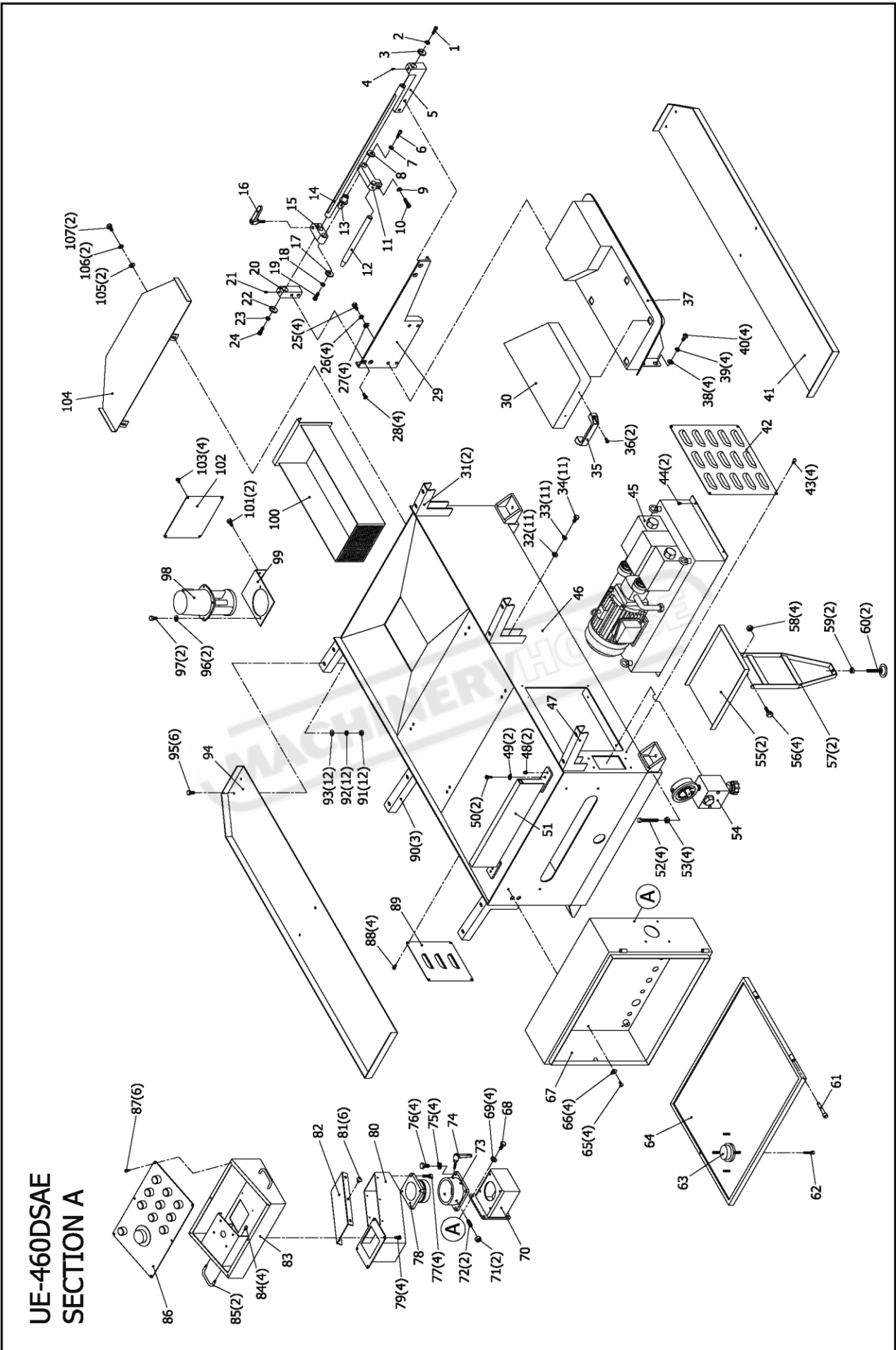


SECTION A – PARTS LIST

Part No.	Description	Size No.	Q'ty	Part No.	Description	Size No.	Q'ty
A1	Hex. Socket Cap Screw	3/8"x1"L	1	A48	Set Screw	M8x12L	2
A2	Spring Washer	3/8"	1	A49	Spring Washer	M8	2
A3	Washer	S1380221-3	1	A50	Hex. Socket Cap Screw	M8x16L	2
A4	Set Screw	5/16"x5/16"L	1	A51	Position Bracket	460D3-29-A	1
A5	Position Bracket (L)	S1380221-2	1	A52	Hex. Cap Bolt	M16x60L	4
A6	Hex. Socket Cap Screw	3/8"x1"L	1	A53	Nut	M16	4
A7	Spring Washer	3/8"	1	A54	Vise Pressure Valve		1
A8	Washer	S1380221-3	1	A55	Movable Coolant Tray	460D3-39	2
A9	Spring Washer	3/8"	1	A56	Hex. Cap Bolt	M6x12L	4
A10	Hex. Socket Cap Screw	3/8"x1"L	1	A57	Bracket	460D3-39-A	2
A11	Shaft Bracket	S1380110-C	1	A58	Nut	M6	4
A12	Upper Shaft	460D2-64	1	A59	Nut	1/2"	2
A13	Shaft	S1380221-2	1	A60	Adjusting Bolt	331D4-37	2
A14	Length Scale Rod	S1380221	1	A61	Door Pin		2
A15	Adjusting Block	S1380110-B	1	A62	Hex. Socket Cap Screw	M6x30L	1
A16	Locking Handle	350S0420	1	A63	Power Switch		1
A17	Washer	S1380221-3	1	A64	Electric Box Cover	331D3-07	1
A18	Spring Washer	3/8"	1	A65	Hex. Socket Cap Screw	M6x8L	4
A19	Hex. Socket Cap Screw	3/8"x1"L	1	A66	Spring Washer	M6x8L	4
A20	Position Bracket (R)	S1380110-A	1	A67	Electric Box (Swivel)	331D3-06-E	1
A21	Set Screw	5/16"x5/16"L	1	A68	Hex. Cap Bolt	M8x16L	4
A22	Washer	S1380221-3	1	A69	Spring Washer	M8	4
A23	Spring Washer	3/8"	1	A70	Fixing Bracket	331D3-37	1
A24	Hex. Socket Cap Screw	3/8"x1"L	1	A71	Nut	M6	2
A25	Hex. Cap Bolt	M10x25L	4	A72	Set Screw	M6x30L	2
A26	Spring Washer	M10	4	A73	Shaft Bushing	331D1-18-A	1
A27	Washer	M10	4	A74	Locking Handle M8x30L	331D4-38	1
A28	Flat Head Screw	5/16"x3/4"L	4	A75	Spring Washer	M8	4
A29	Outlet Side Plate	460D3-40-B	1	A76	Hex. Cap Bolt	M8x16L	4
A30	Removable Retrieval Plate	460D3-40-A	1	A77	Hex. Cap Bolt	M6x16L	4
A31	Fixing Bracket	460D3-02-B	2	A78	Swiveling Shaft	331D1-18	1
A32	Washer	M8	11	A79	Button Head Socket Screw	M6x8L	4
A33	Spring Washer	M8	11	A80	Swiveling Bracket	460D3-09	1
A34	Hex. Cap Bolt	M8x20L	11	A81	Big Round Head Screw	M6x8L	6
A35	Handle	9160502	1	A82	Cover	460D3-09-A	1
A36	Big Round Head Screw	M6x12L	2	A83	Operation Box	331E3-01	1
A37	Retrieval Table	460D3-40	1	A84	Button Head Socket Screw	M5x8L	4
A38	Washer	M12	4	A85	Handle A-42-C	330S0418	2
A39	Spring Washer	M12	4	A86	Control Panel		1
A40	Hex. Cap Bolt	M12x25L	4	A87	Button Head Socket Screw	M5x8L	6
A41	Coolant Tray	460D3-02-A	1	A88	Button Head Socket Screw	M6x8L	4
A42	Cover	460D3-05-A	1	A89	Hydraulic Rear Cover	460D3-05-B	1
A43	Button Head Socket Screw	M6x8L	4	A90	Fixing Bracket	331D3-02-B	3
A44	Hex. Socket Cap Screw	M6x12L	2	A91	Nut	M8	12
A45	Hydraulic Unit		1	A92	Spring Washer	M8	12
A46	Machine Base	460D3-01	1	A93	Washer	M8	12
A47	Supporting Bracket	460D3-02-C	1	A94	Coolant Plate (L)	460D3-02	1



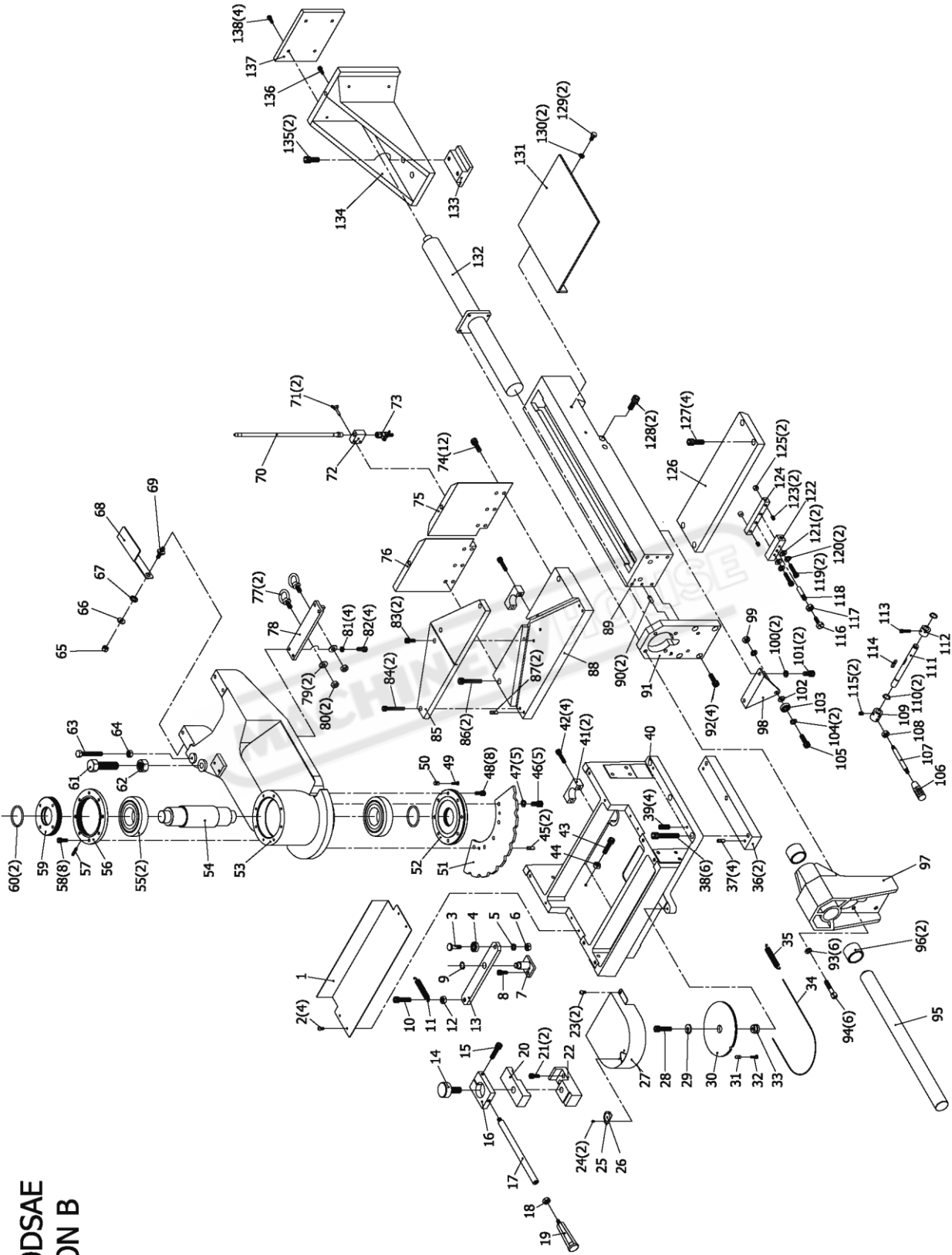
SECTION B – PARTS LIST

Part No.	Description	Size No.	Q'ty	Part No.	Description	Size No.	Q'ty
B1	Cover Plate	460D3-26-A	1	B48	Hex. Socket Cap Screw	M8x20L	8
B2	Button Head Socket Screw	M5x8L	4	B49	Hex. Cap Bolt	M5x15L	1
B3	Cam Shaft	331D2-31	1	B50	Wire Fastener	331D2-35	1
B4	Bearing 6000	331D5-10A	1	B51	Position Plate	331D2-25	1
B5	Spring Washer	M10	1	B52	Lower Cover	331D2-05	1
B6	Nut	M10	1	B53	Swiveling	460D1-06	1
B7	Cam Bracket	331D2-30	1	B54	Swiveling Shaft	331D2-03	1
B8	Hex. Socket Cap Screw	M8x25L	2	B55	Bearing 30312	331D5-12	2
B9	C Ring	S16	1	B56	Upper Cover	331D2-06	1
B10	Hex. Socket Cap Screw	M10x40L	1	B57	Set Screw	M6x25L	1
B11	Cam Spring	331D4-02	1	B58	Hex. Socket Cap Screw	M8x20L	8
B12	Nut	M10	1	B59	Tighten Plate	331D2-06-A	1
B13	Connecting Plate	460D2-32	1	B60	Oil Ring P60	S138F5-01	2
B14	Locking Bolt	331D2-27	1	B61	Hex. Cap Bolt	M20x65L	1
B15	Hex. Socket Cap Screw	M10x50L	1	B62	Nut	M20	1
B16	Connecting Block	331D2-28	1	B63	Hex. Cap Bolt	M10x60L	1
B17	Locking Rod	460D2-29	1	B64	Nut	M10	1
B18	Nut	M12	1	B65	Nylon Nut	M10	1
B19	Rubber Handle	9160501	1	B66	Washer	S138F2-26-A	1
B20	Brake Plate	331D2-26	1	B67	Washer	S138F2-26-B	1
B21	Hex. Socket Cap Screw	M8x20L	2	B68	Position Adjusting Plate	S138F3-29	1
B22	Brake Bracket	331D1-11	1	B69	Position Bolt	S20A2-01	1
B23	Button Head Socket Screw	M6x8L	2	B70	Hose SP103 1/4"x18"	460D4-04	1
B24	Hex. Socket Cap Screw	M4x6L	2	B71	Wing Screw	M6x30L	2
B25	Magnifier Holder	331D3-43	1	B72	Hose Seat	L46N2-20	1
B26	Angle Magnifier	331D4-09	1	B73	Coolant Switch	L25A4-49	1
B27	Cover	331D3-25	1	B74	Hex. Socket Cap Screw	M10x30L	12
B28	Hex. Socket Cap Screw	M10x40L	1	B75	Attached Plate (R)	460D2-24	1
B29	Washer	M10	1	B76	Attached Plate (L)	460D2-23	1
B30	Center Wheel	331D2-33	1	B77	Screw Holder	1/2"x50L	2
B31	Wire Fastener	331D2-35	1	B78	Lower Bracket	460D1-17	1
B32	Hex. Cap Bolt	M5x15L	1	B79	Washer	1/2"	2
B33	Bushing	331D2-34	1	B80	Nut	1/2"	2
B34	Steel Rope		1	B81	Spring Washer	M8	4
B35	Angle Spring	331D4-03	1	B82	Hex. Socket Cap Screw	M8x25L	4
B36	Plate	460D2-50	2	B83	Hex. Socket Cap Screw	M8x20L	2
B37	Spring Pin	8x20L	4	B84	Hex. Socket Cap Screw	M10x55L	2
B38	Hex. Socket Cap Screw	M12x130L	6	B85	Angle Cutting Table	460D1-03	1
B39	Set Screw	M12x25L	4	B86	Hex. Socket Cap Screw	M10x60L	2
B40	Table	460D1-01	1	B87	Spring Pin	8x20L	2
B41	Fixing Block	331D2-04	2	B88	Cutting Platform	460D1-02	1
B42	Hex. Socket Cap Screw	M10x35L	4	B89	Vise	460D1-04-A	1
B43	Hex. Socket Cap Screw	M10x40L	1	B90	Spring Pin	8x20L	2
B44	Nut	M10	1	B91	Position Plate	460D2-65	1
B45	Spring Pin	8x20L	2	B92	Hex. Socket Cap Screw	M12x35L	4
B46	Hex. Socket Cap Screw	M10x20L	5	B93	Spring Washer	M10	6
B47	Spring Washer	M10	5	B94	Hex. Socket Cap Screw	M10x40L	6

SECTION B – PARTS LIST

Part No.	Description	Size No.	Q'ty	Part No.	Description	Size No.	Q'ty
B95	Upper Shaft	460D2-56	1				
B96	Oilless Bearing 45x5x40	460D4-23	2				
B97	Central Bracket	460D1-21	1				
B98	Supporting Bracket	460D3-29	1				
B99	Nut	M10	1				
B100	Spring Washer	M10	2				
B101	Hex. Socket Cap Screw	M10x16L	2				
B102	Washer	M10	1				
B103	Bearing 6200	L25A5-01	1				
B104	Spring Washer	M10	2				
B105	Hex. Socket Cap Screw	M10x30L	1				
B106	Long Handle	331D4-26	1				
B107	Locking Arm	331D2-53-D	1				
B108	Nut	M10	1				
B109	Locking Cam	331D2-53-C	1				
B110	C Ring	S17	2				
B111	Locking Shaft	331D2-53	1				
B112	Locking Wheel	331D2-53-A	1				
B113	Hex. Socket Cap Screw	M6x16L	1				
B114	Key	5x5x20	1				
B115	Set Screw	M8x8L	2				
B116	Hex. Cap Steel Screw	M6x16L	1				
B117	Nut	M6	1				
B118	Position Shaft	331D2-53-B	1				
B119	Hex. Socket Cap Screw	M8x40L	2				
B120	Spring Washer	M8	2				
B121	Washer	M8	2				
B122	Vise Position Block	331D2-19	1				
B123	Set Screw	M8x8L	2				
B124	Vise Locking Block	331D2-20	1				
B125	Attached Copper	331D2-21	2				
B126	Guide Plate	460D2-17	1				
B127	Hex. Socket Cap Screw	M12x35L	4				
B128	Hex. Socket Cap Screw	M12x30L	2				
B129	Hex. Cap Bolt	M8x20L	2				
B130	Spring Washer	M8	2				
B131	Table Plate	460D3-26	1				
B132	Front Vise Cylinder		1				
B133	Position Block	331D2-18-A	1				
B134	Front Vise	460D1-05	1				
B135	Hex. Socket Cap Screw	M12x30L	2				
B136	Hex. Socket Cap Screw	M8x20L	1				
B137	Attached Plate	460D2-22	1				
B138	Hex. Socket Cap Screw	M8x20L	4				

**UE-460DSAE
SECTION B**



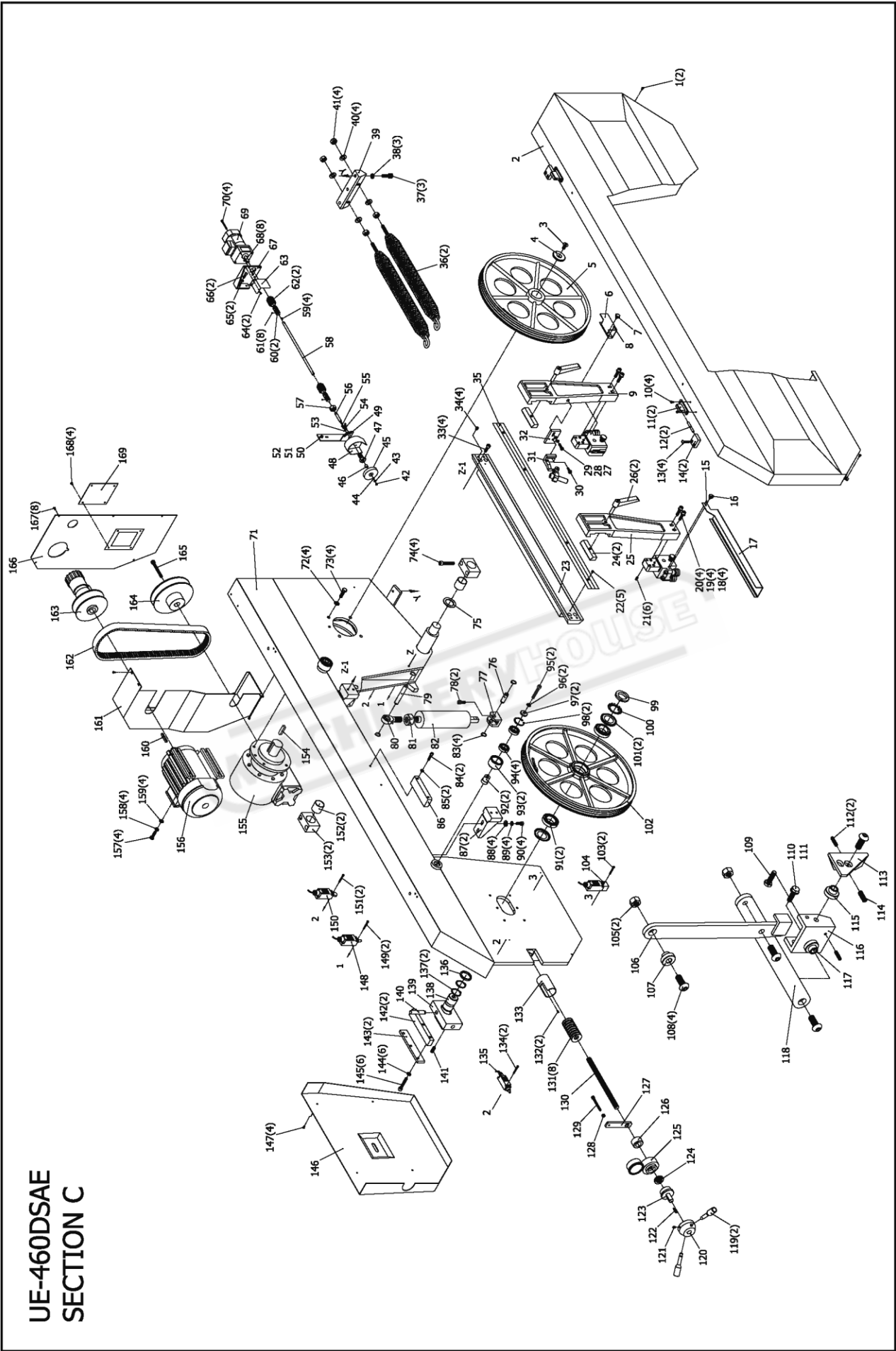
1000710-V1

SECTION C – PARTS LIST

Part No.	Description	Size No.	Q'ty	Part No.	Description	Size No.	Q'ty
C1	Button Head Socket Screw	M6x8L	2	C48	Brush Cover	460D3-31	1
C2	Wheel Cover	460D3-10-C	1	C49	Fixing Bracket	460D3-31-A	1
C3	Flat Head Screw	M12x25L	1	C50	Hex. Cap Bolt	M8x20L	2
C4	Driver Wheel Washer	331D2-49	1	C51	Spring Washer	M8	2
C5	Driver Wheel	460D1-13	1	C52	Washer	M8	2
C6	Blade Guide	460D3-13-A	1	C53	Spring Washer	M6	1
C7	Thumb Screw	M5x8L	1	C54	Wing Screw	M6x10L	1
C8	Spring Pin	4x12L	1	C55	Hex. Socket Cap Screw	M6x20L	1
C9	Guide Post (R)	460D1-07-A	1	C56	Brush Shaft	460D2-59-1	1
C10	Button Head Socket Screw	M6x16L	4	C57	Nut	M20	1
C11	Cover Latch	460D2-45	2	C58	Transformer Shaft	460D2-59-2	1
C12	Pin	8x70L	2	C59	Key	4x15L	4
C13	Button Head Socket Screw	M8x30	4	C60	Universal Joint	L25A4-02	2
C14	Latch Block	460D2-44	2	C61	Set Screw	M5x6L	8
C15	Spring Pin	4x12L	1	C62	Universal Joint Cover	L25A4-02-1	2
C16	Thumb Screw	M5x8L	1	C63	Universal Joint Plate	460D3-31-C	1
C17	Blade Guide	460D3-12-A	1	C64	Button Head Socket Screw	M5x8L	2
C18	Hex. Socket Cap Screw	M10x35L	4	C65	Chip Motor Bracket	460D3-31-B	1
C19	Washer	M10	4	C66	Spring Washer	M8	1
C20	Spring Washer	M10	4	C67	Hex. Socket Cap Screw	M8x20L	1
C21	Set Screw	M8x16L	6	C68	Nut	M6	8
C22	Round Head Screw	M5x8L	5	C69	Chip Motor		1
C23	Guide Pate	460D1-08	1	C70	Hex. Socket Cap Screw	M6x90L	4
C24	Locking Block	460D2-46	2	C71	Speed Sensor Bracket (Type 120)	460D3-19	1
C25	Guide Post (L)	460D1-07	1	C72	Spring Washer	M12	4
C26	Locking Handle M12x50L	331D4-39	2	C73	Hex. Cap Steel Screw	M12x45L	4
C27	Hex. Socket Cap Screw	M5x15L	1	C74	Hex. Socket Cap Screw	M12x70L	4
C28	Spring Washer	M5	1	C75	Shaft Washer	331D2-01-A	1
C29	Washer	M5	1	C76	Lower Shaft	460D2-37	1
C30	Round Head Screw	M6x12L	1	C77	Lower Bracket	460D1-18	1
C31	Laser Device Set		1	C78	Hex. Socket Cap Screw	M8x20L	2
C32	Laser Bracket	460D2-61	1	C79	Upper Shaft	460D2-38	1
C33	Hex. Socket Cap Screw	M10x20L	4	C80	Eye Bearing	POS16	1
C34	Set Screw	M10x16L	4	C81	Nut	M20xP1.5	1
C35	Metal Scale	NPC-003	1	C82	Lift Cylinder		1
C36	Spring 9.0x56x54N	460D4-10	2	C83	Ring	S20	4
C37	Hex. Socket Cap Screw	M10x25L	3	C84	Hex. Socket Cap Screw	M8x40L	2
C38	Spring Washer	M10	3	C85	Spring Washer	M8	2
C39	Upper Bracket	460D1-16	1	C86	Press Block	460D2-55	1
C40	Washer	1/2"	4	C87	Support Plate	460D1-08-A	2
C41	Nut	1/2"	4	C88	Washer	M10	4
C42	Nut	M6	1	C89	Spring Washer	M10	4
C43	Spring Washer	M6	1	C90	Hex. Socket Cap Screw	M10x30L	4
C44	Washer	M6	1	C91	Bearing 32009	460D4-20	2
C45	Brush	331D4-08	1	C92	Guide Roller Shaft	460D2-11	2
C46	Oilless Bush 1212	L25A5-08	2	C93	Guide Roller	460D2-10	2
C47	Shaft Bushing	460D2-59	1	C94	Bearing 6005	460D4-21	4

SECTION C – PARTS LIST

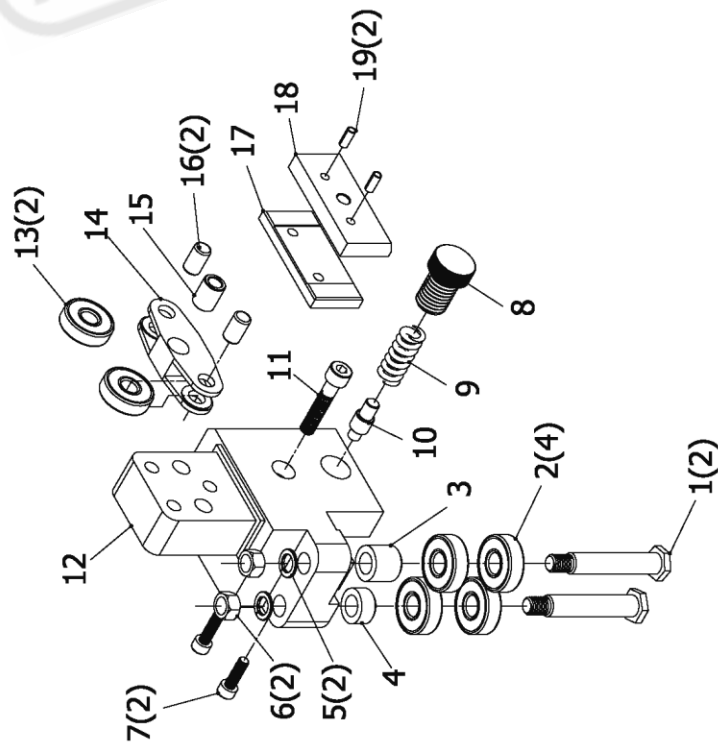
Part No.	Description	Size No.	Q'ty	Part No.	Description	Size No.	Q'ty
C95	Hex. Socket Cap Screw	M12x60L	2	C142	Slide Guide	460D2-14	2
C96	Spring Washer	M12	2	C143	Slide Plate	331D2-15	2
C97	Washer	460D2-11-A	2	C144	Spring Washer	M10	6
C98	Ring	R42	2	C145	Hex. Socket Cap Screw	M10x60L	6
C99	Nut	AN09	1	C146	Idle Wheel Cover (Type 120)	460D3-11-A	1
C100	Teeth Washer	AW09	1	C147	Button Head Socket Screw	M6x8L	4
C101	Shaft Cover 32009AV	460D4-08	2	C148	Limit Switch AZD-1001T	331D5-06	1
C102	Idle Wheel	460D1-12	1	C149	Hex. Socket Cap Screw	M4x35L	2
C103	Hex. Socket Cap Screw	M4x35L	2	C150	Limit Switch ED-1-3-32	H33D4-11	1
C104	Limit Switch AZD-S11	331D5-07	1	C151	Hex. Socket Cap Screw	M4x35L	2
C105	Nut	M8	2	C152	Oilless Bearing 4040	331D5-14	2
C106	Short Bracket	460D3-27-A	1	C153	Spacer	331D2-02-A	2
C107	Spacer	460D3-27-C	1	C154	Key	14x9x50	1
C108	Button Head Socket Screw	M8x25L	4	C155	Gear Reducer 120#1/40	460D4-15	1
C109	Hex. Cap Bolt	M8x20L	1	C156	Motor	5HP	1
C110	Hex. Cap Bolt	M8x20L	1	C157	Hex. Cap Bolt	M10x35L	4
C111	Spring Washer	M8	1	C158	Spring Washer	M10	4
C112	Set Screw	M4x12L	2	C159	Washer	M10	4
C113	Safe Locker	460D3-27-4	1	C160	Key	10x8x40	1
C114	Spring		1	C161	Wheel Box (Type 120)	460D3-15	1
C115	Spacer	460D3-27-6	1	C162	Belt 1922V504	460D4-06	1
C116	Holding Bracket	460D3-27-2	1	C163	Speed Controlled Wheel (Variable)	460D4-16	1
C117	Bracket Bush	460D3-27-5	1	C164	Speed Controlled Wheel (Fixing)	460D4-16	1
C118	Long Bracket	460D3-27	1	C165	Hex. Socket Cap Screw	M8x65L	1
C119	Handle	3500217	2	C166	Wheel Box Cover (Type 120)	460D3-16	1
C120	Handwheel	3500216	1	C167	Button Head Socket Screw	M5x8L	8
C121	Set Screw	M8x10L	1	C168	Button Head Socket Screw	M5x8L	4
C122	Key	5x5x30L	1	C169	Cover Plate	460D3-16-A	1
C123	Lead Screw Bushing	460D2-16-A	1				
C124	Bearing 51203	331D4-18	1				
C125	Blade Tension Gauge	460D4-12	1				
C126	Screw Bushing	460D2-16-B	1				
C127	Contacto	460D2-48	1				
C128	Nut	M8	1				
C129	Hex. Cap Bolt	M8x60L	1				
C130	Lead Screw	460D2-16	1				
C131	Disc Spring 502225	460D4-09	8				
C132	Spring Pin	5x12L	2				
C133	Spring Bush	460D2-47	1				
C134	Hex. Socket Cap Screw	M4x35L	2				
C135	Limit Switch AZD-1001T	331D5-06	1				
C136	Idle Wheel Washer	460D2-12-C	1				
C137	Ring	S45	2				
C138	Idle Wheel Shaft Set (type 120)	460D2-12	1				
C139	Slide (type 120)	460D2-13	1				
C140	Pin	16x90L	1				
C141	Set Screw	M12x25L	1				



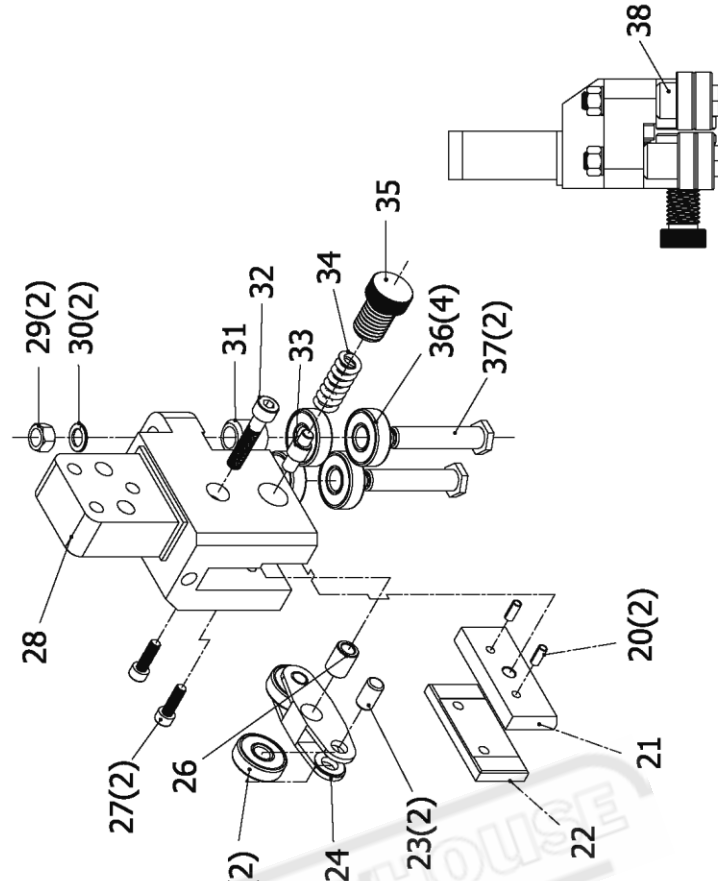
1000710-V1

UE-460DSAE
SECTION D

FRONT BEARING SEAT

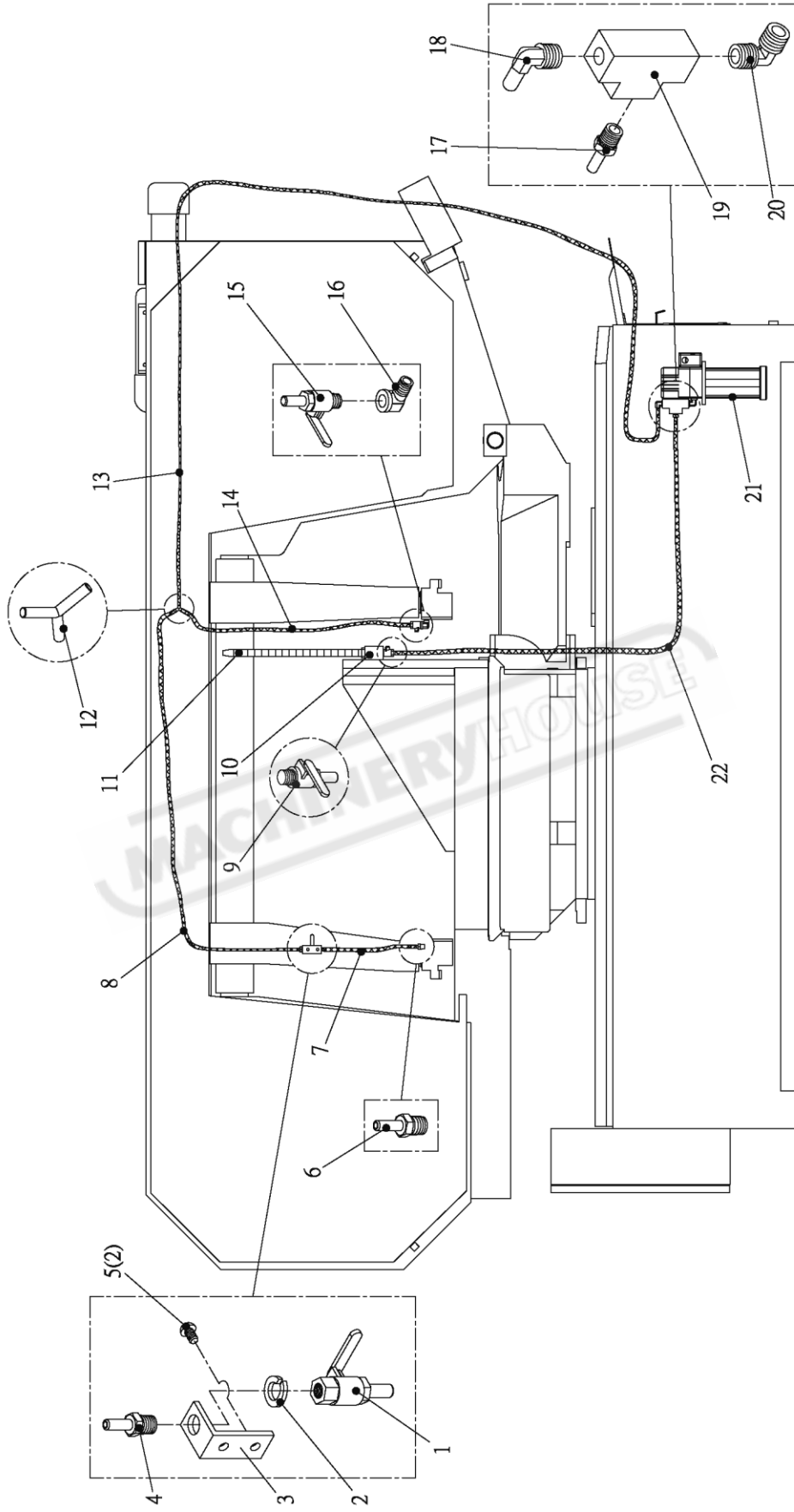


REAR BEARING SEAT



1000710-V1

**UE-460DSAE
SECTION E**



1000710-V1

SECTION F – PARTS LIST

Part No.	Description	Size No.	Q'ty	Part No.	Description	Size No.	Q'ty
F1	Power Switch		1				
F2	Coolant Overload Relay		1				
F3	Coolant Magnetic Switch		1				
F4	Hydraulic Overload Relay		1				
F5	Hydraulic Magnetic Switch		1				
F6	Blade Overload Relay		1				
F7	Blade Magnetic Switch		1				
F8	Transformer Power in Fuse		1				
F9	Transformer Power in Fuse		1				
F10	AC110V Fuse		1				
F11	AC110V Fuse		1				
F12	Transformer		1				
F13	Terminal Block		1				
F14	Relay Base		1				
F15	Relay		1				
F16	Relay Base		1				
F17	Relay		1				
F18	Relay Base		1				
F19	Relay		1				
F20	Relay Base		1				
F21	Relay		1				
F22	Relay Base		1				
F23	Relay		1				
F24	Relay Base		1				
F25	Relay		1				
F26	Fuse		1				
F27	Fuse		1				
F28	Fuse		1				
F29	Terminal Block		1				
F30	Power in Fuse		1				
F31	Power in Fuse		1				
F32	Power in Fuse		1				
F33	Power in Terminal		1				
F34	Power in Terminal		1				
F35	Power in Terminal		1				
F36	Grounding Plate		1				
F37	Power Indicator Light		1				
F38	Blade Stop Button		1				
F39	Coolant Start Switch		1				
F40	Bow Down Button		1				
F41	Bow Up Button		1				
F42	Vise Open Button		1				
F43	Vise Close Button		1				
F44	Blade Start Button		1				
F45	Hydraulic Start Button		1				
F46	Emergency Stop Button		1				
F47	Cutting Feed Rate Valve		1				

UE-460DSAE SECTION F

